

# SPECIFICATION

## FOR

## APPROVAL

Customer : \_\_\_\_\_

Description : \_\_\_\_\_ Magnetic Transducer

Universal Model No. : \_\_\_\_\_ UGCT3002AF3

Universal ERP No. : \_\_\_\_\_

Customer's Model No. : \_\_\_\_\_

ISSUE	CHECK	APPROVAL	CUSTOMER
ZhuYu	ShiCong	WangXueWen	
22.07.07	22.07.07	22.07.07	



Universal ( Changzhou ) Electronics Co., Ltd.

Add:No.5 Longyue Road,Wujin Hitech Development Zone,  
Changzhou,Jiangsu,China

Tel:86-519-88864155 88860185

E-mail:jim@China-buzzer.com

Fax: 86-519-88818807

<http://www.china-buzzer.com/>



# SPECIFICATIONS

Model No.

UGCT3002AF3

Page

1/6

## 1. ELECTRICAL AND ACOUSTICAL SPECIFICATION

	Item	Unit	Specifications
1-1	Rated Voltage (Square Wave)	V	3.0
1-2	Operating Voltage	V	2-4
1-3	* Rated Current (Max)	mA	100
1-4	* Min Sound Output at 10cm	dB	65
1-5	* Resonant Frequency	Hz	4000
1-6	Coil Resistance	Ω	12±2
1-7	Operating Temperature	°C	-20~+70
1-8	Storage Temperature	°C	-30~+80
1-9	Weight	g	0.2
1-10	Housing Material		LCP
1-11	Lead Pin Material		Brass

\* Value Applying at Rated Voltage (resonant frequency, 1/2 duty, square wave)

		22.07.07	ZhuYu	Shi Cong	Wang Xue Wen
Issue No	Description	Date	Issue	Check	Approval

Universal ( Changzhou ) Electronics Co., Ltd.

# SPECIFICATIONS

Model No.

UGCT3002AF3

Page

2/6

## 2.ENVIRONMENTAL TEST

Item	Specifications
2-1 Storage in High temp.	Storage in $+85^{\circ}\text{C} \pm 2^{\circ}\text{C}$ test box for 96 hours, then expose to the room temperature for 2 hours without applying power.
2-2 Storage in Low temp.	Storage in $-40^{\circ}\text{C} \pm 2^{\circ}\text{C}$ test box for 96 hours, then expose to the room temperature for 2 hours without applying power.
2-3 Storage in Humidity	Storage in $+40^{\circ}\text{C} \pm 2^{\circ}\text{C}$ 90-95%RH test box for 96 hours, then expose to the room temperature for 2 hours without applying power.
2-4 Thermal cycle test.	<p>Make this test for 5 cycles without applying power, then expose to the room temperature for 2 hours.</p>
2-5 Vibration test	<p>Amplitude: 1.5mm Time : 1min/axis</p> <p>Make this test for the directions of X,Y, Z for 2 hours each (total 6 hours).</p>
2-6 Drop test	Free drop a unit from the height 100cm to the surface of 10mm thick board ,three directions(X,Y,Z).
2-7 Solderability test	Soldering temp.: $260 \pm 5^{\circ}\text{C}$ Heat applying time: $3 \pm 0.5\text{sec}$ .

### PASS CRITERION :

After these tests , the change of S.P.L shall be within  $\pm 5 \text{ dB}$  .

		22.07.07	ZhuYu	ShiCong	WangXueWen
Issue No	Description	Date	Issue	Check	Approval

Universal ( Changzhou ) Electronics Co., Ltd.

# SPECIFICATIONS

Model No.

UGCT3002AF3

Page

3/6

## 3.MEASURING METHOD(BUZZER MODE)

### 3-1 .Test Condition

#### 3-1-1.STANDARD

Temperature :  $25 \pm 3^{\circ}\text{C}$

Relative humidity : 60% ~ 70%,

Atmospheric pressure : 860mbar to 1060mbar

#### 3-1-2.JUDGEMENT

Temperature :  $15 \sim 35^{\circ}\text{C}$

Relative humidity : 45% ~ 85%,

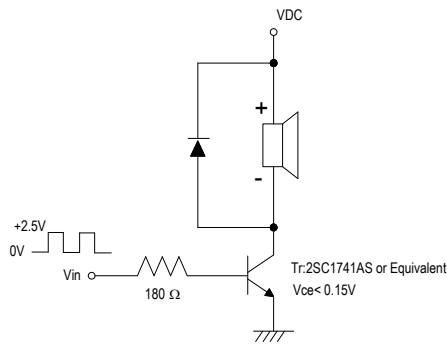
Atmospheric pressure : 860mbar to 1060mbar.

### 3-2 . Standard Test Fixture

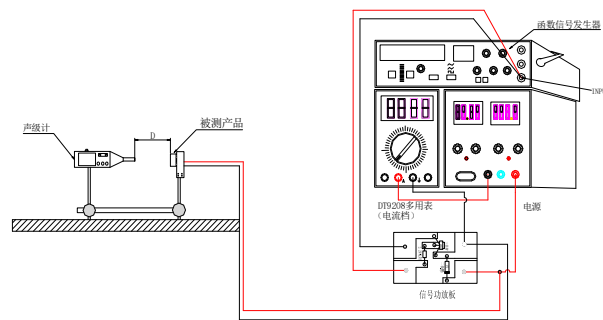
3-2-1.rated Voltage(Square wave):3V

3-2-2.Resonant Frequency:4000Hz

3-2-3.Standard Drive Circuit:



3-2-4. Standard test fixture:



		22.07.07	ZhuYu	ShiCong	WangXueWen
Issue No	Description	Date	Issue	Check	Approval

Universal ( Changzhou ) Electronics Co., Ltd.

# SPECIFICATIONS

Model No.

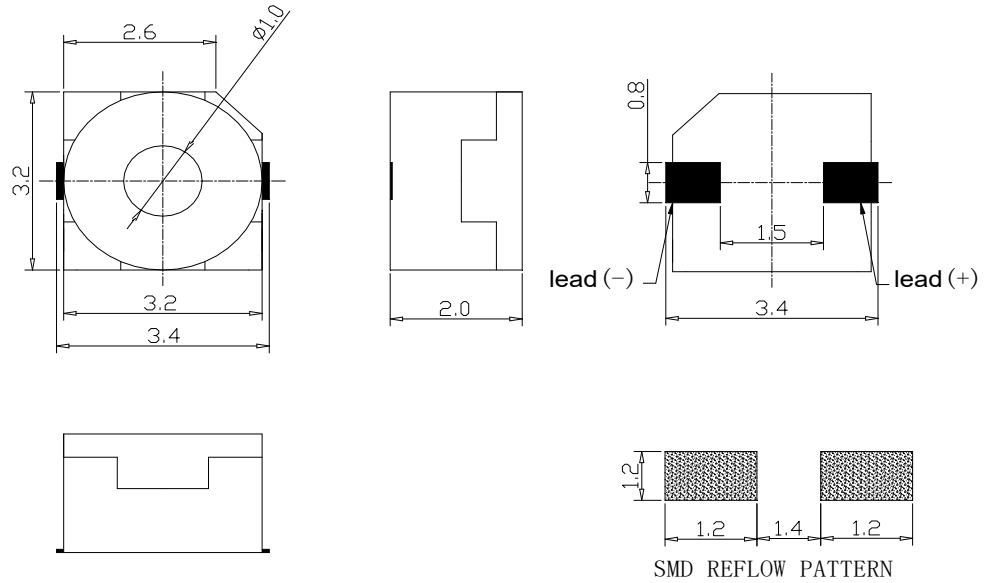
UGCT3002AF3

Page

4/6

## 4.DIMENSIONS

Unless otherwise specified,tolerance:  $\pm 0.3$ (unit:mm)



Cadmium(Cd)/Cadmium Compounds	$\leq 100$ ppm
Lead (Pb) / Lead Compounds	$\leq 800$ ppm
Mercury (Hg) Mercury Compounds	$\leq 800$ ppm
Hexavalent-Chromium (Cr6+) Compounds	$\leq 800$ ppm
PBB	$\leq 800$ ppm
PBDE	$\leq 800$ ppm

1) All parts must be meet to ROHS.

2) Reflow solder allowed, wash not allowed.

6	Cover	1	Brass	
5	Case	1	LCP	
4	Core	1	Bonded NdFeB	
3	Iron	1	Iron	
2	Diaphragm	1	Iron	
1	Coil Part	1	Copper Iron	
Part No.	Part Name	Q'TY	Material	Remark

		22.07.07	ZhuYu	ShiCong	WangXueWen
Issue No	Description	Date	Issue	Check	Approval

Universal ( Changzhou ) Electronics Co., Ltd.

# SPECIFICATIONS

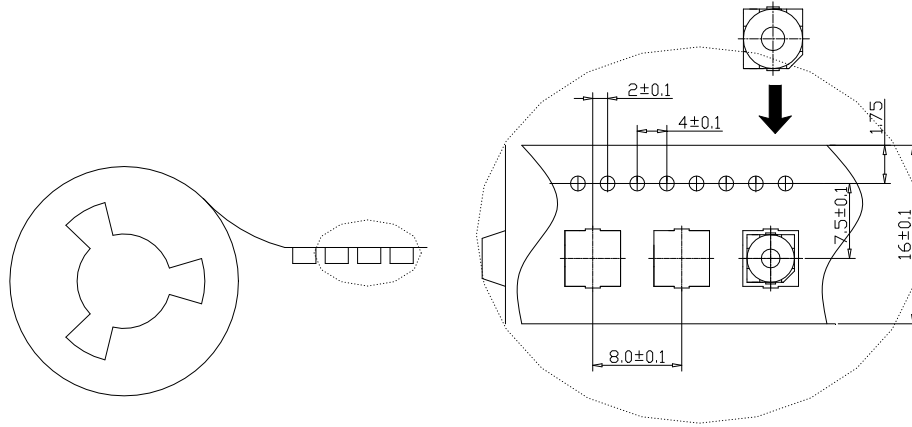
Model No.

UGCT3002AF3

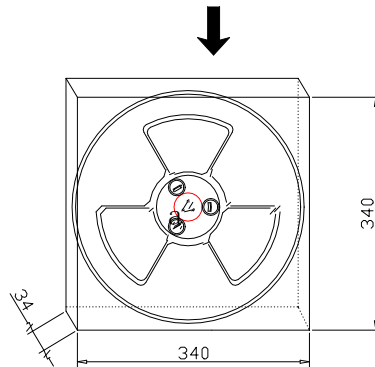
Page

5/6

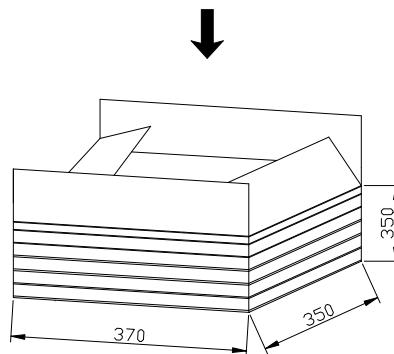
## 5.PACKING



3000PCS/CARRUER REEK; 每卷装3000PCS



1ROLL CARRIER REEL/INNER BOX; 1卷放入一内盒



30000PCS/CTN 每箱放30000只 (10只内盒)

		22.07.07	ZhuYu	ShiCong	WangXueWen
Issue No	Description	Date	Issue	Check	Approval

Universal ( Changzhou ) Electronics Co., Ltd.

# SPECIFICATIONS

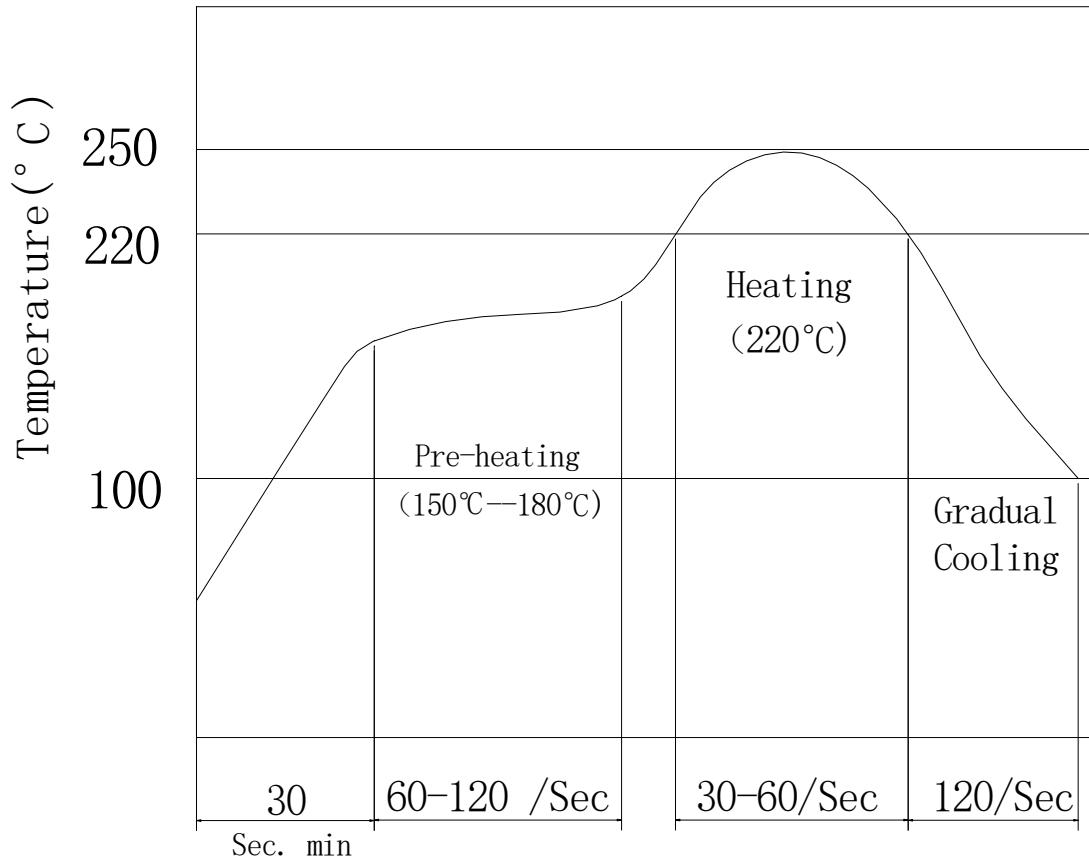
Model No.

UGCT3002AF3

Page

6/6

## 6.REFLOW SOLDERING CURVE



		22.07.07	ZhuYu	ShiCong	WangXueWen
Issue No	Description	Date	Issue	Check	Approval

Universal ( Changzhou ) Electronics Co., Ltd.